

190 is a kind of premium grade assembled roving, special for long fiber injection process, coated with a silane-based sizing. 190 is compatible with polyurethane resin systems.

190 is suitable for LFI process to manufacture products such as watercraft and automotive parts.

Product Features

- ◎ Easy chopping and good dispersion
- ◎ Excellent runnability even at high speed
- ◎ Good antistatic property
- ◎ Excellent strength of finished composite products

Identification

Example	ER16-4400-190
Type of Glass	E
Assembled Roving	R
Filament Diameter, μm	16
Linear Density, tex	4400
Size Code	190



Technical Parameters

Linear Density (%)	Moisture Content (%)	Size Content (%)	Stiffness (mm)
ISO 1889	ISO 3344	ISO 1887	ISO 3375
± 5	≤ 0.10	2.00 ± 0.25	170 ± 20

Packaging

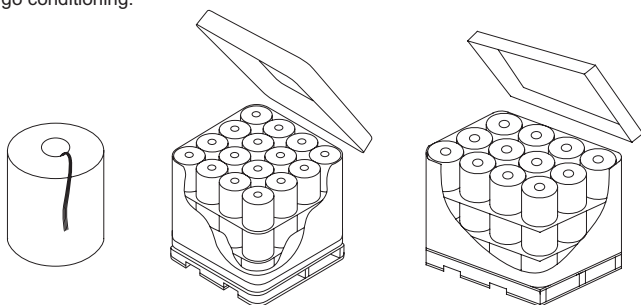
* The product can be packed on pallet or in small cardboard boxes.

Package height mm (in)	260 (10)	260 (10)
Package inside diameter mm (in)	100 (4)	100 (4)
Package outside diameter mm (in)	270 (10.6)	310 (12.2)
Package weight kg (lb)	17 (37.5)	28.5(62.9)

Storage

Unless otherwise specified, fiberglass products should be stored in a dry, cool and rain-proof area. It is recommended that the room temperature and humidity should be always maintained at $15\text{ }^{\circ}\text{C} \sim 35\text{ }^{\circ}\text{C}$ and $35\% \sim 65\%$ respectively. To ensure safety and avoid damage to the product, the pallets should not be stacked more than three layers high. When the pallets are stacked in 2 or 3 layers, care should be taken to correctly and smoothly move the top pallet.

The product should be transferred to the workshop 24 hours before use to undergo conditioning.



Number of layers	3	4	3	4
Number of doffs per layer	16		12	
Number of doffs per pallet	48	64	36	48
Net weight per pallet kg (in)	816 (1798.9)	1088 (2396.6)	792(1746.1)	1056 (2328.1)

Pallet length mm (in)	1120 (44)		1270 (50)	
Pallet width mm (in)	1120 (44)		960 (38)	
Pallet height mm (in)	940 (37)	1200 (47)	940 (37)	1200 (47)

JUSHI GROUP CO., LTD.

2012.02

版权所有：©巨石集团有限公司 ®巨石集团有限公司注册商标